

stork modular



Stork - 4m x 4m

The compact and highly adaptable Stork offers expandable shading and total rainwater control.

Typical Applications

- Playground shade & outdoor classroom
- Entrance canopy
- Walkway & Link cover

Size options

- 4m x 4m
- Expandable widthways and lengthways!

Technical details:

Framework

Framework is mild steel, in either a galvanised finish or polyester powder coated to most RAL colours.

Fittings

Marine grade (316) stainless steel fixings plus anodised aluminium extrusion.

Fabric canopy options

- PVC coated polyester, available in 8 colour-fast shades, with a life expectancy of 20 years.
- Environmentally friendly Solar Glass Weave fabric, in off-white colour only, with a life expectancy of 30 years.

Installation

The Single Bay Classroom can typically be installed in 1 day, on to concrete foundation pads by others. Requires good access for plant machinery and installation.

Plant Machinery

- Cherry picker or Scaffold Tower
- Telehandler

Foundations

One below ground concrete foundation pad for one steel leg. Please request General Arrangement drawing for more information.



Expand and Adapt

Flexibility built-in, to give linear shelter even around corners

Integral Drainage

Integrated design captures and directs rainwater



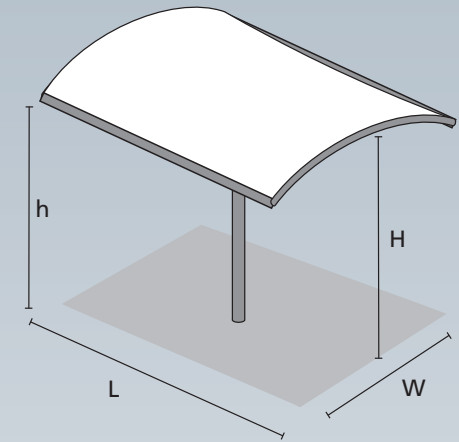
Minimal Framework

Single mast design means minimal groundworks and foundations

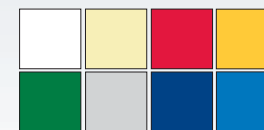
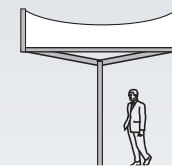
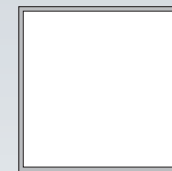


fabric architecture limited
Unit B4 Nexus, Gloucester Business Park, Hurricane Rd, Brockworth, Glos. GL3 4AG
T +44 (0)1452 612800 F +44 (01452) 621200 E info@fabricarchitecture.com

All dimensions quoted are approximate. Our policy is one of continuous improvement. Whilst every effort has been made to achieve the degree of reliability and accuracy appropriate to a product of this kind, the right is reserved to make changes at any time, without notice, to prices, materials, specifications and models. In no circumstance will Fabric Architecture Ltd, its servants or its agents, accept any liability for statements made or any error or inaccuracy relating to any of its products, or for any resulting damage, loss, expenses or claims whatsoever. © 2008 Fabric Architecture Ltd.



Dimensions (m)				
	L	W	h	H
4 x 4	4	4	2.7	3.3



Standard range of colours available in architectural PVC fabric

Tel: 01452 612 800