

# classroom

Classroom - 7m x 5m

The functional and stylish Classroom provides excellent shelter and shade - a truly modular design for use in both single and multiple bays.

#### Typical Applications

- Link walkway
- Waiting area
- Seating or Bicycle Cover

#### Size options

- 7m x 5m
- 14m x 5m - expandable in 7m bays

#### Technical details:

##### Framework

Framework is mild steel, in either a galvanised finish or polyester powder coated to most RAL colours.

##### Fittings

Marine grade (316) stainless steel fixings plus anodised aluminium extrusion.

##### Fabric canopy options

- PVC coated polyester, available in 8 colour-fast shades, with a life expectancy of 20 years.
- Environmentally friendly Solar Glass Weave fabric, in off-white colour only, with a life expectancy of 30 years.

##### Installation

The Single Bay Classroom can typically be installed in 2 days, on to concrete foundation pads by others. Requires good access for plant machinery and installation.

##### Plant Machinery

- Cherry picker or Scaffold Tower
- Telehandler

##### Foundations

Two below ground concrete foundation pads for two steel legs. Please request General Arrangement drawing for more information.

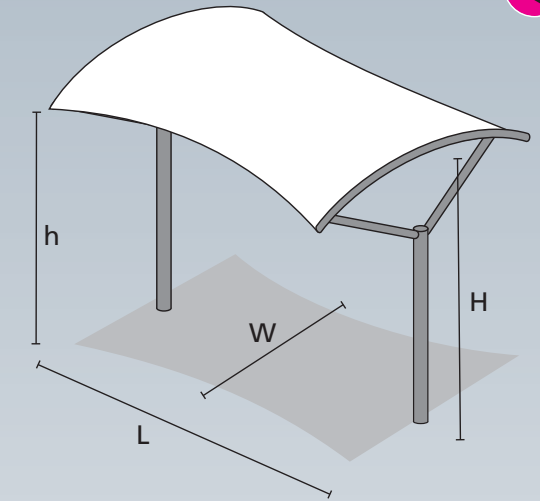


### Organic form

Soft organic curves provide attractive and functional shelter

### Lighting Systems

Lighting can be easily integrated, and cables hidden within the steel structure



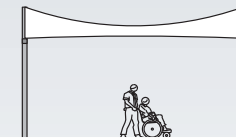
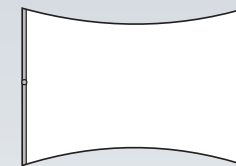
Dimensions (m)				
	L	W	h	H
7 x 5	7	5	3	4

### Modular System

Bays can be easily joined together by sharing existing framework - provides a sleek and dynamic result



fabric architecture limited  
Unit B4 Nexus, Gloucester Business Park, Hurricane Rd, Brockworth, Glos. GL3 4AG  
T +44 (0)1452 612800 F +44 (01452) 621200 E info@fabricarchitecture.com



Standard range of colours available in architectural PVC fabric

All dimensions quoted are approximate. Our policy is one of continuous improvement. Whilst every effort has been made to achieve the degree of reliability and accuracy appropriate to a product of this kind, the right is reserved to make changes at any time, without notice, to prices, materials, specifications and models. In no circumstance will Fabric Architecture Ltd, its servants or its agents, accept any liability for statements made or any error or inaccuracy relating to any of its products, or for any resulting damage, loss, expenses or claims whatsoever. © 2008 Fabric Architecture Ltd.

Tel: 01452 612 800