

bandshell



Bandshell - 6m Ø & 10m Ø

The striking Bandshell performance structure provides an engaging area with many uses.

Typical Applications

- Performance Zone
- Outdoor Classroom
- Meet and Greet area

Size options

- 6m diameter
- 10m diameter

Technical details:

Framework

Framework is mild steel, in either a galvanised finish or polyester powder coated to most RAL colours.

Fittings

Marine grade (316) stainless steel fixings plus anodised aluminium extrusion.

Fabric canopy options

- PVC coated polyester, available in 8 colour-fast shades, with a life expectancy of 20 years.
- Environmentally friendly Solar Glass Weave fabric, in off-white colour only, with a life expectancy of 30 years.

Installation

The Bandshell can typically be installed in 3 days onto concrete foundation pads by others. Requires good access for plant machinery and installation.

Plant Machinery

- Cherry picker
- Telehandler or Mobile Crane
- Scaffold Tower

Foundations

Two below ground concrete foundation pads for four steel legs. Please request General Arrangement drawing for more information.

Lighting Systems

Lighting and sound systems can be fully integrated into the structure

Integral Drainage

Rainwater management using internal drainage

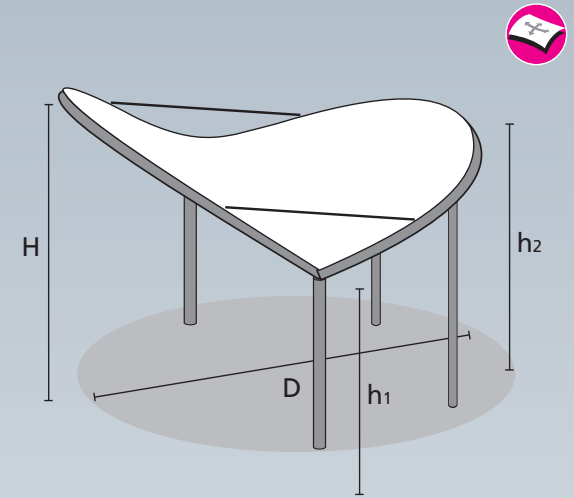


User friendly

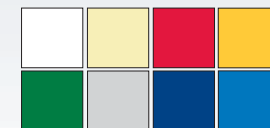
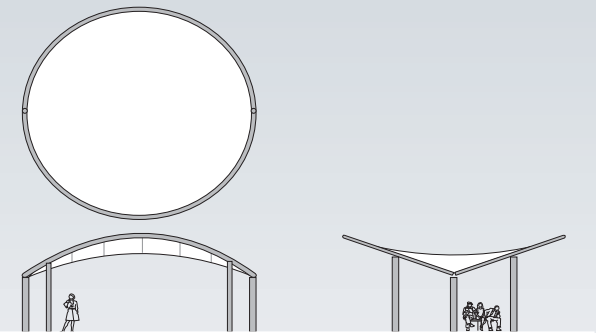
Access panels for electrical conduits, control systems and maintenance

Hidden foundations

Below surface foundations achieve a very clean and easy-to-maintain result



Dimensions (m)				
	D	h1	h2	H
6m diameter	6	2.2	3.3	4.1
10m diameter	10	2.7	4.2	5.2



Standard range of colours available in architectural PVC fabric



fabric architecture limited
 Unit B4 Nexus, Gloucester Business Park, Hurricane Rd, Brockworth, Glos. GL3 4AG
T +44 (0)1452 612800 **F** +44 (01452) 621200 **E** info@fabricarchitecture.com

All dimensions quoted are approximate. Our policy is one of continuous improvement. Whilst every effort has been made to achieve the degree of reliability and accuracy appropriate to a product of this kind, the right is reserved to make changes at any time, without notice, to prices, materials, specifications and models. In no circumstance will Fabric Architecture Ltd, its servants or its agents, accept any liability for statements made or any error or inaccuracy relating to any of its products, or for any resulting damage, loss, expenses or claims whatsoever. © 2008 Fabric Architecture Ltd.

Tel: 01452 612 800